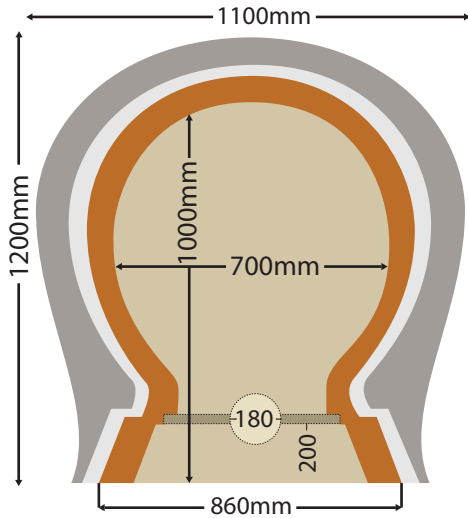


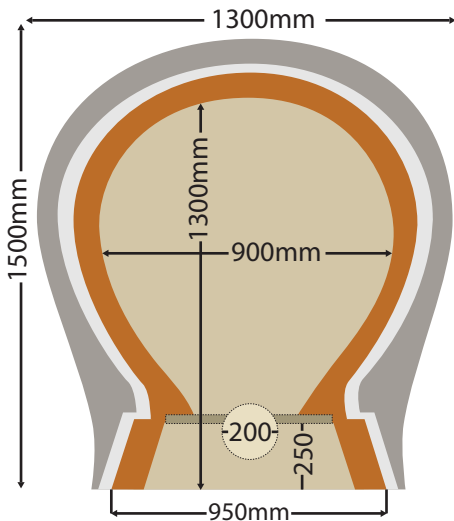
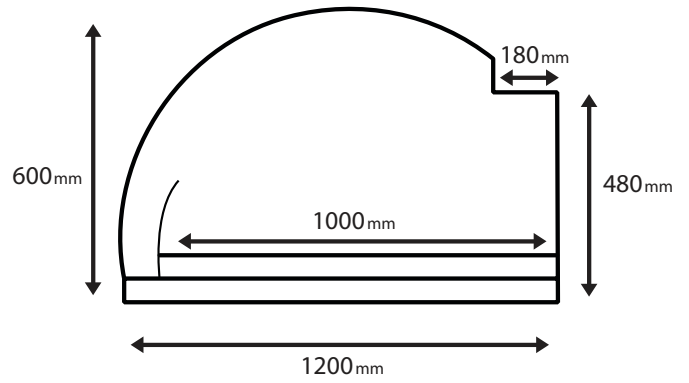
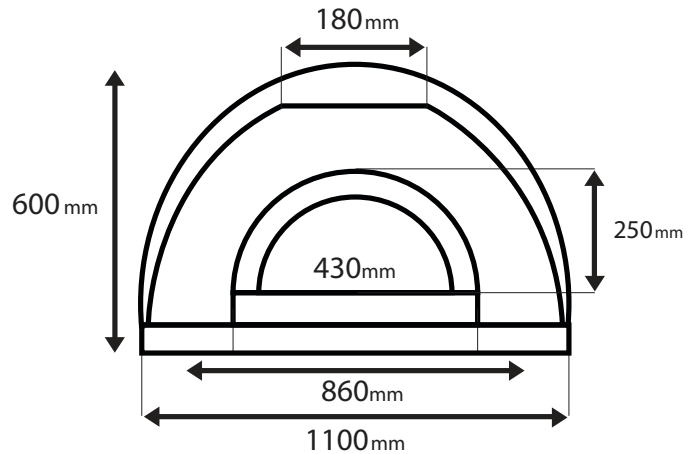


# WOOD FIRED PIZZA OVENS



## Tuscan 6B

Mouth Door Opening: 430 W x 250 H  
 External Base: 1100 W x 1200 D  
 Weight: 300Kg  
 Flue: 180mm Diameter  
 Arch: 860 W x 480 H  
 Internal Dome: 470 Int H (-80mm floor)  
 Internal Front to Back: 1000 D x 700 W  
 External Dome: 600mm H  
 Capacity: 3 - 4 pizzas



## Calabrian 8C (hinged door)

Calabrian Mouth / Door Opening: 430 W x 300 H

## Piemonte 8R (wider bell shaped door)

Piemonte Mouth / Door Opening: 600 W

External Base: 1300 W x 1500 D

Weight: 440Kg

Flue: 200mm Diameter

Arch: 950 W x 570 H

Internal Dome: 600 Int H (-80mm floor)

Internal Front to Back: 1300 D x 900 W

Capacity: 4 - 6 pizzas

